

T-BERD 224 Application

PBX/Switch Emulation (Terminate a Call)

The following procedure outlines how to use the T-BERD 224 to terminate/receive a call. Please read the entire procedure **BEFORE** starting.

Part 1 – Configuring the T-BERD 224

Step	Switch	Action
1		Configure the T-BERD 224 according to the T-BERD 224 T1 Drop & Insert Setup card for in-service testing or , Configure the T-BERD 224 according to the T-BERD 224 T1 Termination Setup card for out-of-service testing or , Configure the T-BERD 224 according to the T-BERD 224 DCS Test Access Di-group (TAD) Setup card to test at DCS test di-groups.
2	CHANNEL FORMAT	Select SIGNLNG .
3	SOURCE CONFIGURATION I	Select REC SEQ .
4	SOURCE CONFIGURATION II	Select the stored sequence (e.g., 1-10) to be received.
5	AUX	Press to access the auxiliary functions (LED ON).
6	MODE	Scroll to AUX 24 . Select the appropriate trunk type (e.g., Loop Start, Ground Start, or E&M) using the SOURCE CONFIGURATION II switch (see WORD document or Circuit Description). Select the type of circuit equipment (e.g., SLC [®] office, SLC station, FXO, or FXS) to emulate using the RESULTS I blank switch. NOTE: No selection for E&M trunks.
7	MODE	Scroll to AUX 27 . Select the sequence (e.g., 1-10) to program using the SOURCE CONFIGURATION II switch. Select the proper digit type (e.g., DTMF, MF, or DP) using the RESULTS I blank switch. Use lid keypad to program sequence selected. ORIGINATE SUPERVISION (upper case) and digits are received by the T-BERD 224. TERMINATE SUPERVISION (lower case) is received by the T-BERD 224. Press ENTER when complete.

The following are examples of Loop Start, Ground Start, and E&M trunk type setups:

LOOP or GROUND START	AUX 27	H 07**h	
	REC SEQ	SEQ 1	DTMF
E&M	AUX 27	H w 09**h	
	REC SEQ	SEQ 1	MF

Section
SIG
User's Guide

NOTE: ** = Number of digits to be received.

SLC is a registered trademark of AT&T Technologies, Inc.

(continued on back)

TTC

20400 Observation Drive, Germantown, Maryland 20876-4023 USA
USA 1-800-638-2049 • +1-301-353-1550 • FAX +1-301-353-0234
Canada 1-888-689-2165 • +1-905-507-4117 • FAX +1-905-507-4126
www.ttc.com

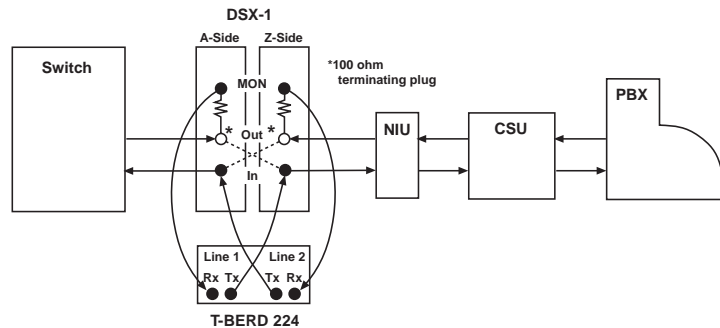
TTC Technical Support
1-800-638-2049

Part 1 – Configuring the T-BERD 224 (cont.)

Step	Switch	Action
8	AUX	Press to exit the auxiliary functions (LED OFF).
9	LINE 1 & LINE 2 CHANNELS	Select the T1 channel (DS0) to be tested.

Part 2 – Performing the Test

Step	Switch	Action
1	INSERT (TX)	Select the T1 line to insert on (LINE 1 towards Z-Side or LINE 2 towards A-Side). When channel display stops flashing, the T-BERD 224 is transmitting on selected line.
2	DROP (RX)	Select the T1 line to receive channel to be analyzed (usually opposite INSERT line).
3	RESULTS II	Select CHANNEL category using the blank switch. Select n100-DELAY , n101-DUR , n102-ADDR , n104-FQ/LVL , or n105-FQ/LVL using the arrowed switch to view sequence.
4	RESTART	Press RESTART to clear alarms and begin the test.
5	KEYPAD CURSOR	Use keypad's right and left arrowed switches to scroll through received sequence using cursor. When cursor is under desired event, the RESULTS II arrowed switch can be used to view desired result.
6		To establish talk path, connect butt set to 2-wire interface (posts) on side of the T-BERD 224..



(continued on Card 2)



20400 Observation Drive, Germantown, Maryland 20876-4023 USA
 USA 1-800-638-2049 • +1-301-353-1550 • FAX +1-301-353-0234
 Canada 1-888-689-2165 • +1-905-507-4117 • FAX +1-905-507-4126
 www.ttc.com

T-BERD 224 Application

PBX/Switch Emulation

(Terminate a Call) (cont.)

Part 3 – Analyzing the Results

The following are examples of results for the various trunk types:

LOOP START	H 3531550			1104 FQ/LVL
	REC SEQ	SEQ 1	LS FXS	699/-9.5
GROUND START	G h H 3531550			1100 DELAY
	REC SEQ	SEQ 1	GS FXS	70 MS
E&M	H w KP 3531550 ST h			1101 DUR
	REC SEQ	SEQ 1	STD (E&M)	250 MS

Supervision events are defined as follows:

Originate Supervision

G Ground on Ring
 H Off Hook
 R Ring
 O On Hook
 M Marginal Digit

Terminate Supervision

h off hook (ground on tip)
 o on hook
 w wink
 d delay dial
 t dial tone



20400 Observation Drive, Germantown, Maryland 20876-4023 USA
 USA 1-800-638-2049 • +1-301-353-1550 • FAX +1-301-353-0234
 Canada 1-888-689-2165 • +1-905-507-4117 • FAX +1-905-507-4126
 www.ttc.com

TTC Technical Support
1-800-638-2049