

# T-BERD 224 Setup

## T1 Drop & Insert

The following procedure outlines how to connect the T-BERD 224 to the DSX-1 to perform a **Drop & Insert** test. Please read the entire procedure **BEFORE** starting.

### Part 1 – Configuring the T-BERD 224

Step	Switch	Action
------	--------	--------

Configure the T-BERD 224 as follows **BEFORE** connecting the unit to the circuit.

1	AUX	Press to access the auxiliary functions (LED ON).
2	MODE	Scroll to <b>AUX 05</b> . Select <b>0 dB LBO</b> settings for both <b>LINE 1 &amp; LINE 2</b> with the <b>SOURCE CONFIGURATION II</b> switch and the <b>RESULTS I</b> blank switch respectively.
3	AUX	Press to exit the auxiliary functions (LED OFF).
4	RESULTS I	Select <b>SUMMARY</b> category using the blank switch.
5	RESULTS II	Select <b>SUMMARY</b> category using the blank switch.
6	MODE	Select the proper T1 framing mode (e.g., T1, T1 D4, T1 ESF, or T1 SLC®).
7	CODE	Select <b>B8ZS</b> or <b>AMI</b> (see WORD document or Circuit Description).
8	TEST	Select <b>CONTinuous</b> .
9	PRINT EVENT	Select <b>OFF</b> unless printout of results is required.
10	DROP (RX)	Select <b>BOTH</b> .
11	INSERT (TX)	Select <b>NONE</b> .
12	LINE 1 & LINE 2 RX INPUTS	Select <b>DSX-MON</b> .

### Part 2 – Connecting to the Circuit

Step	Action/Results
------	----------------

Follow the procedure below to connect the T-BERD 224 in-line with the T1 bit stream. Make certain **ALL** T-BERD 224 configurations are complete **BEFORE** beginning **Part 2**.

- Connect a cable from the T-BERD 224's **LINE 1 RX** jack to the DSX-1 A-Side MON jack (Figure 1).  
Press **RESTART** to clear alarms and begin the test. Verify that:
  - T-BERD 224's **LINE 1 SIGNAL** LED is illuminated.
  - T-BERD 224's **LINE 1 FRAME SYNC** LED is illuminated.
  - SUMMARY** results read "RESULTS OK".

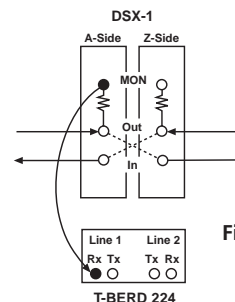


Figure 1

SLC is a registered trademark of AT&T Technologies, Inc.

(continued on back)



20400 Observation Drive, Germantown, Maryland 20876-4023 USA  
 USA 1-800-638-2049 • +1-301-353-1550 • FAX +1-301-353-0234  
 Canada 1-888-689-2165 • +1-905-507-4117 • FAX +1-905-507-4126  
 www.ttc.com

TTC Technical Support  
**1-800-638-2049**

## Part 2 – Connecting to the Circuit (cont.)

Step	Action/Results
------	----------------

- 2 Connect a cable from the T-BERD 224's **LINE 2 RX** jack to the DSX-1 Z-Side MON jack (Figure 2).  
Press **RESTART** to clear alarms and begin the test. Verify that:
- T-BERD 224's **LINE 2 SIGNAL** LED is illuminated.
  - T-BERD 224's **LINE 2 FRAME SYNC** LED is illuminated.
  - SUMMARY** results read "RESULTS OK".

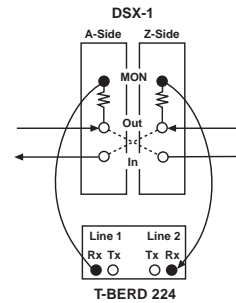


Figure 2

- 3 First connect a cable from the T-BERD 224's **LINE 1 TX** jack to the DSX-1 Z-Side IN jack, then immediately insert a 100 ohm terminating plug into the A-Side OUT jack (Figure 3). **NOTE: NEVER insert the terminating plug first.**

- 4 Connect a cable from the T-BERD 224's **LINE 2 TX** jack to the DSX-1 A-Side IN jack, then immediately insert a 100 ohm terminating plug into the Z-Side OUT jack (Figure 4). **NOTE: NEVER insert the terminating plug first.**

- 5 Press **RESTART** to clear alarms and begin the test. Verify that:
- T-BERD 224's **LINE 1 & LINE 2 SIGNAL** LEDs are illuminated.
  - T-BERD 224's **LINE 1 & LINE 2 FRAME SYNC** LEDs are illuminated.
- NOTE: If errors are received, proceed to Step 7.**

- 6 Configure unit for proper test (see specific applications for instructions).

- 7 Disconnect circuit in **REVERSE ORDER** to prevent service disruption.

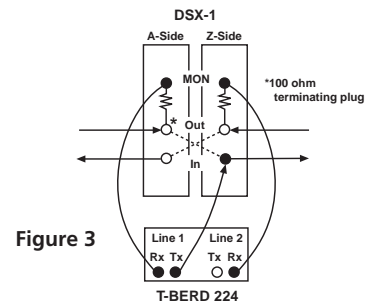


Figure 3

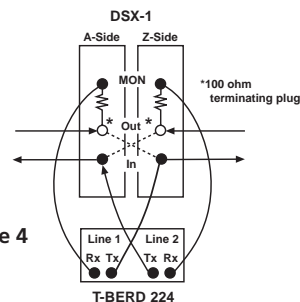


Figure 4